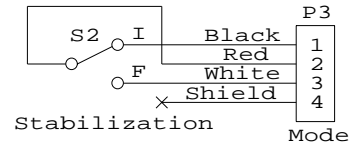
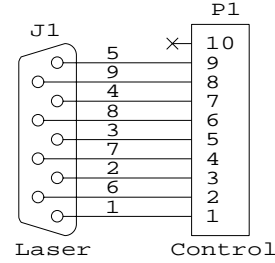
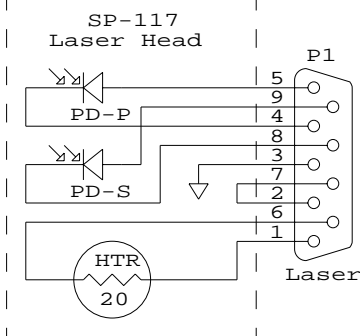


D-Amp:
2xS in Intensity Mode
S-P in Frequency Mode

I Mode AND Stable



| | | |
|---|-----------------|--------------|
| Drawn by: Samuel M. Goldwasser sam@repairfaq.org | | |
| Title Spectra-Physics 117A Analog Section | | |
| Size | Document Number | REV |
| A | SP117A-A-SCH | G |
| Date: | October 8, 2011 | Sheet 3 of 3 |